

NDR-LD

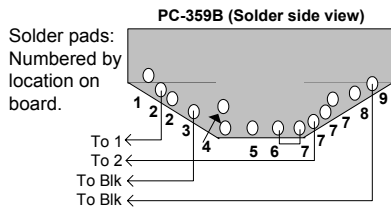
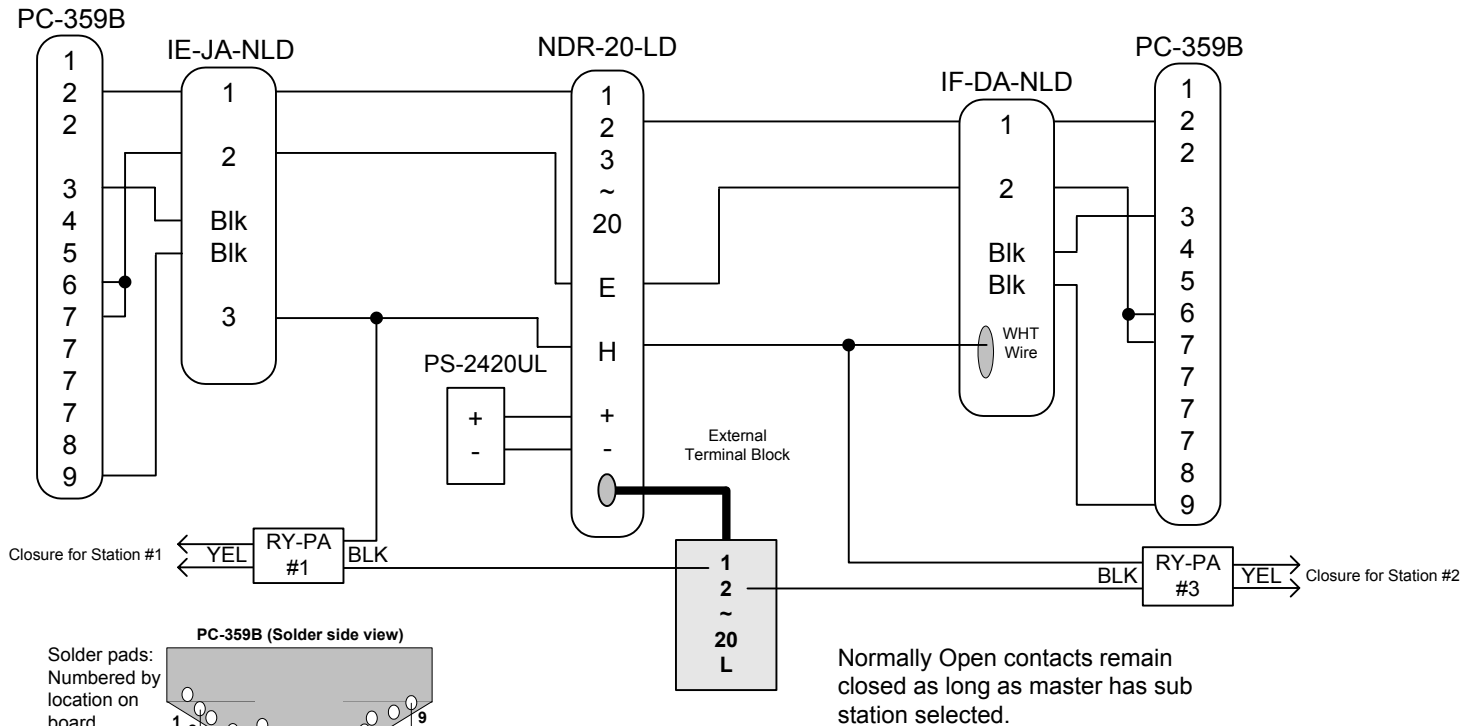
NDR CCTV Call Up and Door Release System for Long Distances and Elevators

NDR-n-LD Master Station IF-DA-NLD and IE-JA-NLD Sub Stations

- INSTRUCTIONS -

The NDR-LD Long Distance Lamp Memory System is designed for communication with remote stations located up to 4,000' away, or to each elevator in a building. Sub stations are available in surface or flush mount styles, and require a separate circuit board (PC-359B) to be added for the call-in function. Three wires are required to each sub station. One RY-PA is required per contact closure. Additional wires are required for extra contacts to activate external devices.

WIRING DIAGRAM: SYSTEM USED FOR CCTV CAMERA CALL-UP



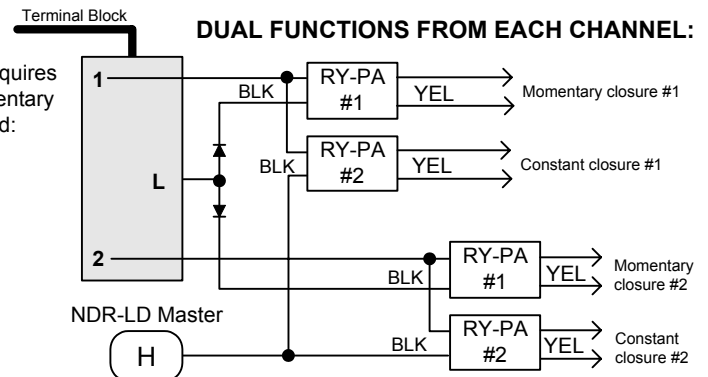
Equipment for each station that requires both a constant closure and momentary closure when a channel is selected:
2 RY-PA relays
1 Diode (1N4001)

Individual Components for NDR-LD System:

- NDR-n-LD Master station (10, 20, 30, 40-station) for Long Distance
- IE-JA-NLD Flush mount long distance sub with stainless steel cover
- IF-DA-NLD Surface mount long distance sub, brown plastic
- PC-359B Call holding circuit board for sub station, mounted externally
- PS-2420UL 24V DC, 2A Power Supply

SUB STATION MOUNTING:

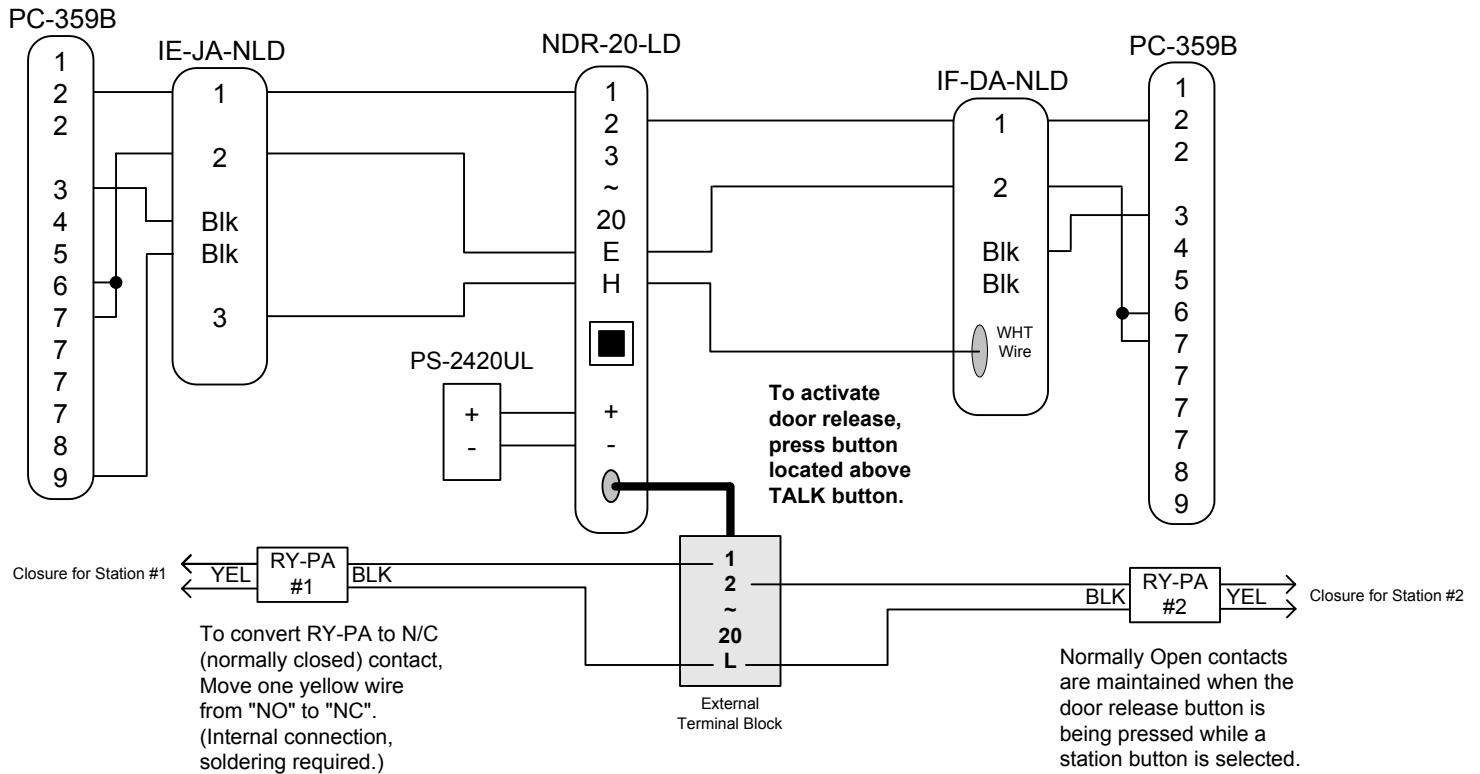
- IE-JA-NLD: 2-gang electrical box
- IF-DA-NLD: Surface mounts to 1-gang box



NDR-LD TERMINAL DEFINITIONS:

- + Positive 24V DC
- Negative
- 1~40 Station number
- E Common communication
- H Provides power to sub station

WIRING DIAGRAM: SYSTEM USED FOR SELECTIVE DOOR RELEASE



OPERATION:

1. When a sub station places a call, the red channel LED indicator lights and a call tone rings at the master. The tone and light will remain activated until the call is answered, which is the primary function of the PC-359B. The LED indicator at the sub station will be lit from the time the call is placed until it is answered.
2. If the master station is talking to another sub station, a new call from another sub station will light the LED, but the call tone will not be heard.
3. When the call is answered, the LED on the master goes off. The person at the master uses the push-to-talk, release-to-listen button, or picks up the handset to speak (with NEM-A masters). The LED at the sub station will go off when the master answers.
4. When the conversation is completed, the OFF button to the left of the station selector button must be pressed to disengage the call.

SPECIFICATIONS:

| | |
|-------------------------|--|
| Power Source: | 24V DC at master. Use PS-2420UL. |
| Communication Output: | 500mW at 20 ohms |
| Communication: | Push-to-talk, release-to-listen or VOX handset at master. Hands free at sub station. |
| Calling: | Master to sub: By voice only after pretone. Sub to master: Call tone and LED, remaining activated until call is answered. |
| Wiring: | 2 common plus 1 individual per sub, looped; or 3 conductors homerun to each sub. Shielded cable is recommended. Use Aiphone #822203 for homerun wiring, #822206 for 4 stations on each run, or #822210 for up to 8 stations on each run. |
| Wiring Distance: | 2,000' with 22AWG; 4,000' with 18AWG. |
| Dimensions (H x W x D): | IE-JA-NLD: 4-1/2" x 4-9/16" x 1-9/16" IF-DA-NLD: 5-1/8" x 3-7/8" x 1-1/8" |

TOLL FREE TECHNICAL SUPPORT:

Aiphone Communication Systems
1700 130th Ave. N.E.
Bellevue, WA 98005
(425) 455-0510
FAX (425) 455-0071

(800) 692-0200
TOLL FREE FAX LINE:
(800) 832-3765
TECHNICAL SUPPORT E-MAIL:
tech-serv@aiiphone.com