

**NEM/C, NEM-A/C Series
WEATHER-RESISTANT SUB STATION**

Model: NE-JA

INSTALLATION & OPERATION MANUAL

PRECAUTIONS ON INSTALLATION & WIRING

⚠ WARNING *Negligence could result in death or serious injury.*

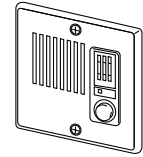
- When existing chime wires are used, be sure to locate and disconnect the bell transformer. Unit damage or electric shock could result. Ask qualified personnel.
- Do not change or alter NE-JA. It can cause fire or electric shock.
- The NE-JA is weather-resistant, but do not spray water directly on NE-JA station to prevent electric shock.
- Make sure wires are connected properly before plugging in power supply. Fire or electric shock could result.

⚠ GENERAL PRECAUTIONS – △ mark indicates caution statement (incl. danger and warning), which is specifically shown inside.

⚠ GENERAL INSTRUCTIONS – ● mark indicates contents which demand a specific action shown inside or attached.

⊘ GENERAL PROHIBITIONS: – ⊘ mark indicates contents which prohibit a specific action shown inside or attached.

⊘ DISMANTLE PROHIBITIONS



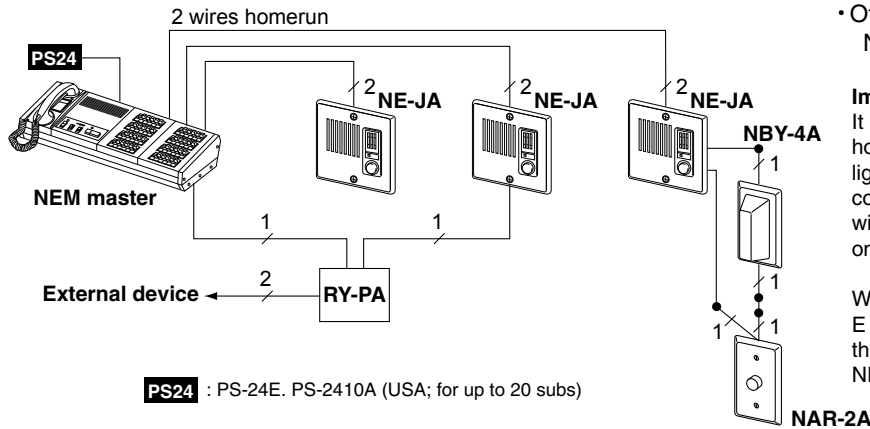
NE-JA

Package Contents

- Door station (NE-JA)
- Packet of screws
- Installation & Operation Manual

1 SYSTEM OUTLINE & COMPONENTS

The NE-JA is weather resistant sub station designed for use with the NEM system. The unit is equipped with an option for an external output contact closure when the sub station places a call (relay required). The NE-JA flush mounts in a 2-gang box, and has a stainless steel cover.



PS24 : PS-24E, PS-2410A (USA; for up to 20 subs)

Components

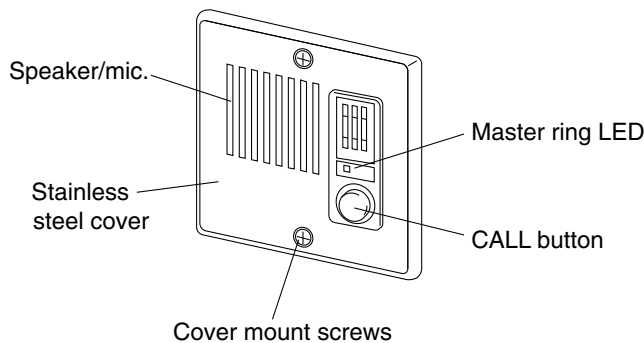
- NEM-n/c : Press-to-talk master
- NEM-n/A/C : Press-to-talk or VOX handset master (n=10, 20, 30 & 40)
- Other models; NEM masters with 50 ~ 120 calls

Important:

It is suggested to connect an NE-JA('s) in a homerun manner, particularly when corridor light is installed. To secure brightness of the corridor light, use thicker wire possible and limit wiring within 60% range of the Distance Chart on Page 2.

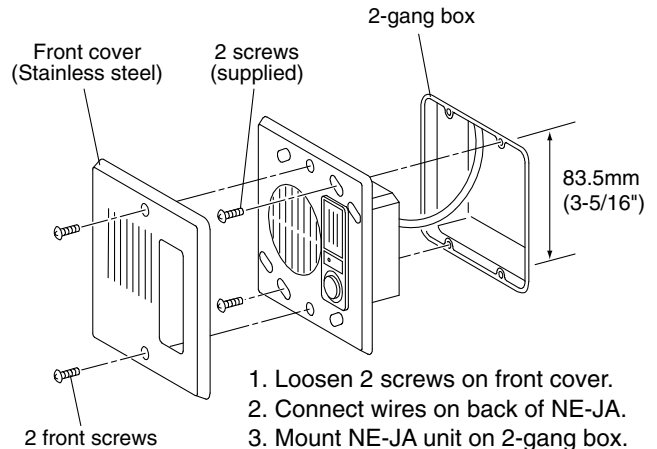
When an NE-JA('s) is connected to a common E line, do not exceed two NE-JA's per E line, as the calls will not be fulfilled if placed from three NE-JA's (or more) at the same time.

2 NAMES & FEATURES



- Weather-resistant door station style
- Two-gang flush-mounting with stainless steel cover
- LED staying lit while master is ringing

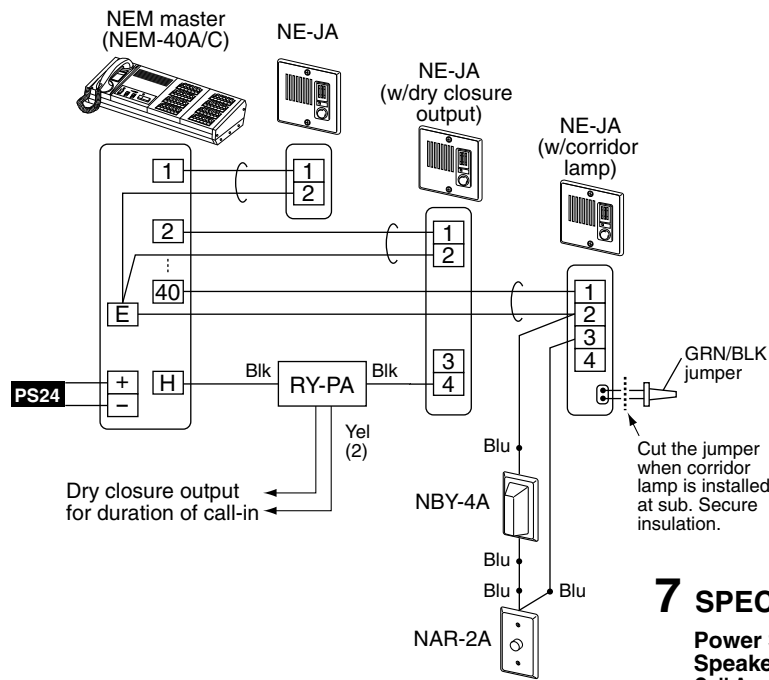
3 MOUNTING



1. Loosen 2 screws on front cover.
2. Connect wires on back of NE-JA.
3. Mount NE-JA unit on 2-gang box.
4. Reattach front cover on NE-JA.

4 WIRING DIAGRAM

Homerun wiring of NE-JA's



PS24 : PS-24E, PS-2410A (USA, for up to 20 subs)

NOTES:

1. The NE-JA can have the external closure option, the corridor lamp, or both connected.
2. When including a corridor lamp, cut GRN/BLK jumper, and connect NBY-4A to terminals 2 and 3 on sub station.
3. When using the extra contact, connect input (coil) of relay to H of master and terminal 4 at sub.
4. The dry closure will stay activated from the time the call is placed until it is answered at the master station. The RY-PA is a 12V DC, "normally open" relay. If a "normally closed" contact is required, the RY-PA can be changed to N/C, or a standard 12V DC, N/C relay can be used.

TERMINAL DEFINITIONS:

- 1, 2: Call-in and communication
- 3: Corridor lamp activation
- 4: External relay activation

5 OPERATION

1. To place a call, press call button on door station once. The call-in tone and LED will be lit on the master station, remaining activated until answered. The LED on the door station will be lit to indicate a call has been placed.
2. When the master station answers, a brief pre-tone will be heard. Speak into the door station hands free.
3. When the call is completed, the person at the master will press OFF button, and communication will be cut off. The person at the remote station does nothing.
4. If a corridor lamp is included, the lamp will be lit from the time the call is placed until answered.
5. If a relay is included at the remote station to provide an extra dry closure, the closure will be activated from the time the call is placed until answered.

6 TECHNICAL PRECAUTIONS

- Caulking seals:** Do not apply any caulking seals around sub station. Water drainage holes on bottom will help water or moisture to dissipate.
- Cleaning:** Clean NE-JA with a soft cloth dampened with neutral household cleaner and cloth. Do not spray high-pressure water on sub station.

7 SPECIFICATIONS

- Power Source:** Supplied by master station
Speaker: 20 ohms
Call Annunciation: Pressing call button at remote latches call at NEM master until answered.
Communication: Hands free at sub. Master is push-to-talk or VOX handset.
Mounting: NE-JA flush mounts in 2-gang electrical box with stainless steel cover over unit.
Wiring: 2 conductors homerun; or 1 common plus 1 individual per sub, looped through each sub. Shielded cable is recommended.

In USA only; Use Aiphone #822202 or #821802 for homerun wiring, #822206 for up to 5 stations on each run, or #822210 for up to 9 stations on each run.

Wiring Distance:

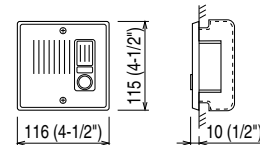
2 wires homerun

Diameter	0.65mmø	1.0mmø	AWG	22AWG	18AWG
Distance	110m	270m	Distance	360'	880'

1 wire common +1 per sub (applicable for max. two NE-JA's)

Diameter	0.65mmø	1.0mmø	AWG	22AWG	18AWG
Distance	70m	170m	Distance	230'	560'

Dimensions: 115(4-1/2") x 116(4-1/2") x 10(1/2") (outer depth)
 (H x W x D; mm)



•RY-PA

Coil Rating: 12V DC, supplied by H terminal of master
Contact Rating: 110V AC, 1A, or up to 24V DC, 1A

WARRANTY

Aiphone warrants its products to be free from defects of material and workmanship under normal use and service for a period of one year after delivery to the ultimate user and will repair free of charge or replace at no charge, should it become defective upon which examination shall disclose to be defective and under warranty. Aiphone reserves unto itself the sole right to make the final decision whether there is a defect in materials and/or workmanship; and whether or not the product is within the warranty.

This warranty shall not apply to any Aiphone product which has been subject to misuse, neglect, accident, or to use in violation of instructions furnished, nor extended to units which have been repaired or altered outside of the factory.

This warranty does not cover batteries or damage caused by batteries used in connection with the unit.

This warranty covers bench repairs only, and any repairs must be made at the shop or place designated in writing by Aiphone.

Aiphone will not be responsible for any costs incurred involving on site service calls.

AIPHONE CO., LTD., NAGOYA, JAPAN
 AIPHONE CORPORATION, BELLEVUE, WA, USA
 AIPHONE EUROPE N.V., ANTWERP, BELGIUM

AIPHONE®
 Providing Peace of Mind
 Printed in Japan (E)