

# LE-B2, LE-B4, LE-B6, LE-B10

Selective Call Entry Station for Open Voice Systems

Use with:

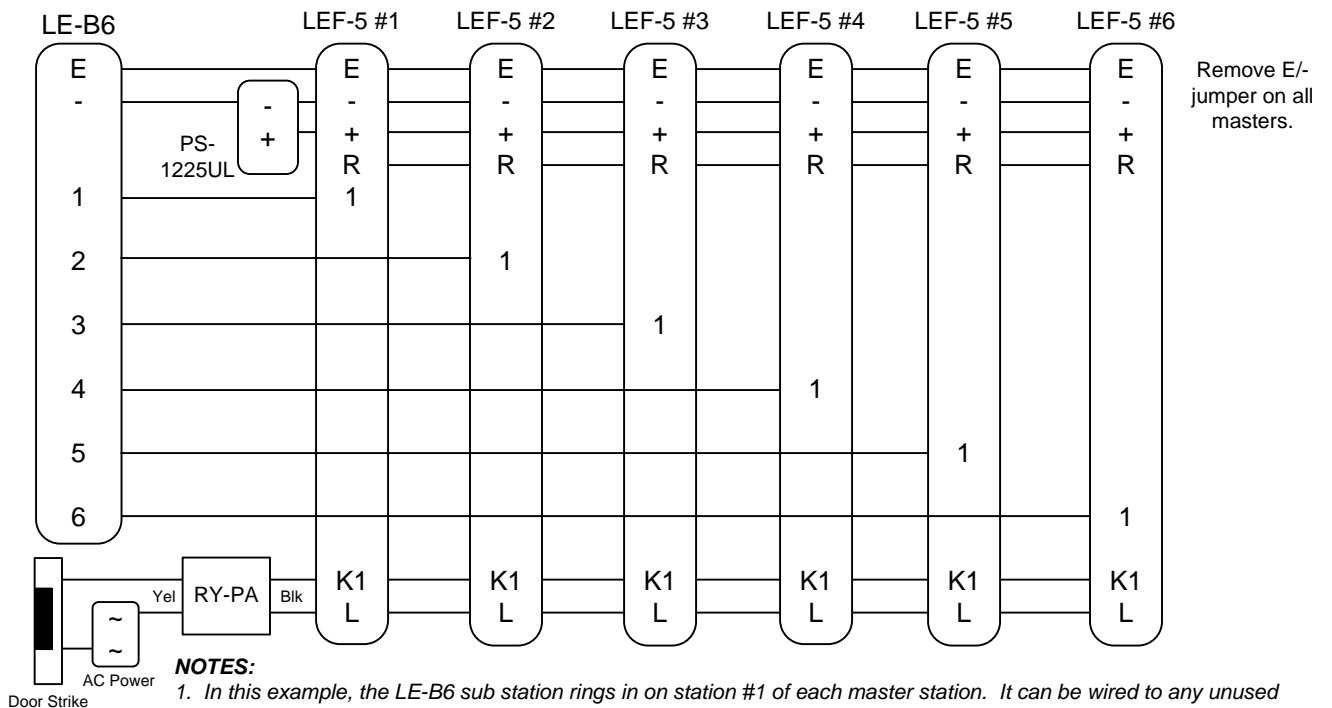
**LEM-1DL/C, LEF, LAF-C, or LDF Masters**

## - INSTRUCTIONS -

The LE-B $n$  entry stations are used to selectively call from 2 up to 10 master stations (or groups of masters). For surface mount applications, include the VC-BBX surface mount box. The system has one communication path.

### WIRING DIAGRAM:

#### LE-B6 WITH LEF-5 MASTER STATIONS



#### NOTES:

1. In this example, the LE-B6 sub station rings in on station #1 of each master station. It can be wired to any unused station number.
2. Only wiring concerning the LE-B6 is shown here. For complete wiring information, please see the standard LEF instructions. If additional master stations are to be installed in each office/suite, wire them per the standard instructions.

#### Individual Components for System with LE-B2~LE-B10 Entry station:

- C-ML/A Wall mount master with door release button
- SKK-620 6V DC power supply, 1 per C-ML/A
- LEM-1DL/C Desk mount master station with door release and occupied lamp
- PT-1210N 12V AC transformer, 1 per LEM-1DL/C
- LEF- $n$  Master station, 3, 5, or 10-call sizes (No door release on LEF-3)
- LAF- $n$ C/CA Console master station, 20 and 40 stn. sizes (no door release)
- LDF- $n$ C/CA Console master with selective door release, 20 and 40 stn. sizes
- PS-1225UL 12V DC power supply, 1 per system (LEF/LAF-C/CA/LDF-C/CA only)

#### LE-B2~6 Terminal Definitions:

- E Common communication
- Negative, common call signal
- 1-6 Selective call/communication terminal for each call button located on the back of speaker unit

#### LE-B10 Terminal Definitions:

- E Common communication
- Negative, common call signal
- 1-10 Selective call/communication terminal for each call button located on the back of each switch

#### STATION MOUNTING:

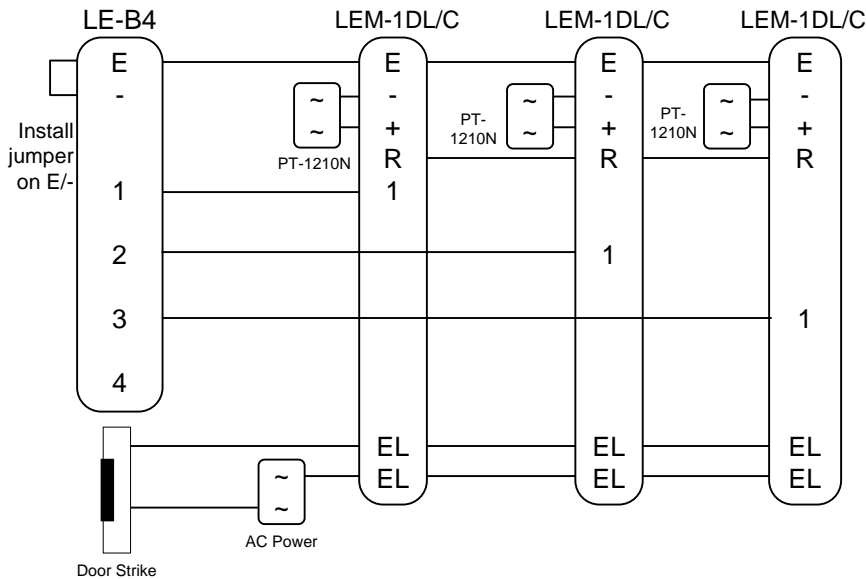
- LE-B $n$ : Flush mount with backbox included.
- Cutout dimensions: 9-1/16" H x 6-1/8" W x 2-11/16" D
- Surface mount: Aiphone model VC-BBX
- Unit dimensions: 10-3/8" H x 7-1/2" W x 2-1/16" D

#### Wires:

- (Used only for backlight illumination lamp)
- Red +12VDC (connect to + of PS-1225UL)
  - Black (-) for lamp (connect to - of PS-1225UL)

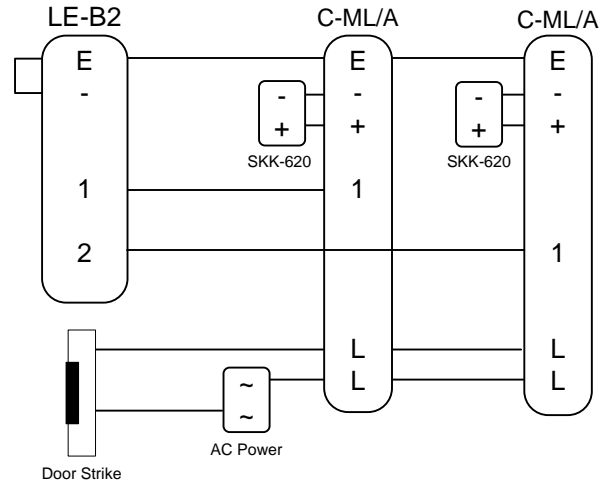
## WIRING DIAGRAM:

### LE-B4 WITH LEM-1DL/C MASTER STATIONS



LEM-1DL/C: Use 12-16V AC or 12-24V DC to power each master separately.

### LE-B2 WITH C-ML/A MASTER STATIONS



C-ML/A: Use SKK-620 (6V DC) to power each master separately.

#### NOTE:

Terminal definitions are sideways when looking at the C-ML/A right side up. 1 and E terminals are on the right column. + and - terminals are on the left column. Two L terminals are on the top, right and left.

## OPERATION:

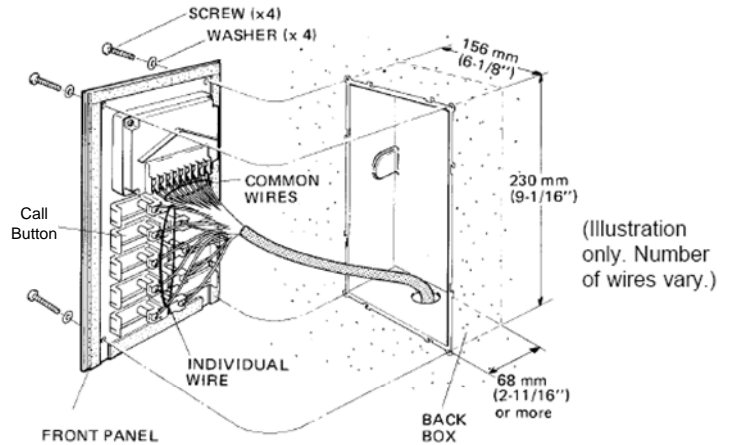
1. The entry station has multiple call buttons with an associated directory card. Press the button of the person you wish to call.
2. LEF and LEM master station(s) will ring an electronic call tone as long as the call button on the entrance station is being held. The C-ML/A master(s) will ring a four stroke chime.
3. To answer, select the station button with the lit LED. If the LED has gone out (after approx. 20 seconds), press the selector button assigned to the entry station (LEF only).
4. Person at the inside station presses TALK button to talk, and releases to listen. Person at the entry station speaks hands free.
5. When finished with the call, press the OFF button on the master station (LEF and LEM-1DL/C only). The C-ML/A master will time out after approximately 20 seconds after the talk button is pressed.
6. On LEF and LEM-1DL/C systems, if the "Occupied" lamp is on, the system is in use. Wait until LED goes out, or determine if a master station has been left on unintentionally.

## SPECIFICATIONS:

Power Source:	Provided from master station. Use the appropriate power supply for the system: 1 PS-1225UL per system with LEF 1 PT-1210N for each LEM-1DL/C 1 SKK-620 for each C-ML/A
Impedance:	20 ohms
Communication:	Hands free at entry station/Push-to-Talk at master station
Calling:	LEF: Momentary call tone and LED, remaining lit for approx. 20 seconds LEM-1DL/C: Momentary call tone C-ML/A: 4 Stroke Chime
Wiring:	LEF: 4 common (E, R, +, -) plus 1 individual per sub, looped; or 5 conductors homerun to each master. <b>Shielded cable is recommended.</b> Use Aiphone #822206 for homerun wiring or LE-B2, #822210 for LE-B4 & LE-B6, or #822215 for LE-B10. LEM-1DL/C and C-ML/A: 2 wires homerun to each master. <b>Shielded cable is recommended.</b> Use Aiphone #822202.
Wiring Distance:	650' with 22AWG; 1,600' with 18AWG.
Dimensions (HxWxD):	Flush mounted: 10-1/4" x 7-5/16" x 2-5/8" (flush depth) Surface mounted: 10-3/8" x 7-1/2" x 2-1/16"

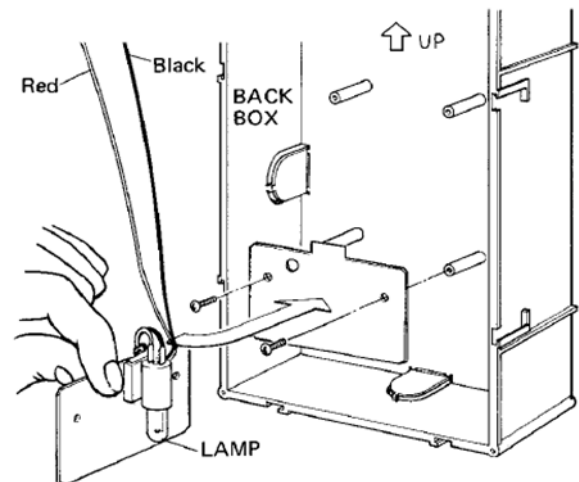
## MOUNTING INSTRUCTIONS:

1. Cut a hole in the wall that is 9-1/16" x 6-1/8". (Ensure that a mounting depth of at least 2-11/16" is available.)
2. Pass cable through knockout holes.
3. Secure mounting box to wall so that front of mounting box is flush with the outside edge of the wall.
4. Connect wires to the unit. (See wiring diagram)
5. Attach the unit to mounting box using the supplied screws.



## DIRECTORY LAMP INSTALLATION:

1. Attach the lamp mounting plate as shown in the drawing using the supplied screws. The lamp should face the back of the mounting box and point down.
2. Connect the RED wire to "+" of the PS-1225UL.
3. Connect the BLACK wire to the "-" of the PS-1225UL.
4. Lamp is 12VDC, 1W.



## ENTERING TENANT'S NAME:

1. Remove the directory card cover by pressing on the edge of the card cover next to the call button.
2. Remove the directory card in the same manner.
3. Fill in the tenant's name in the space provided.
4. Replace card and cover.

