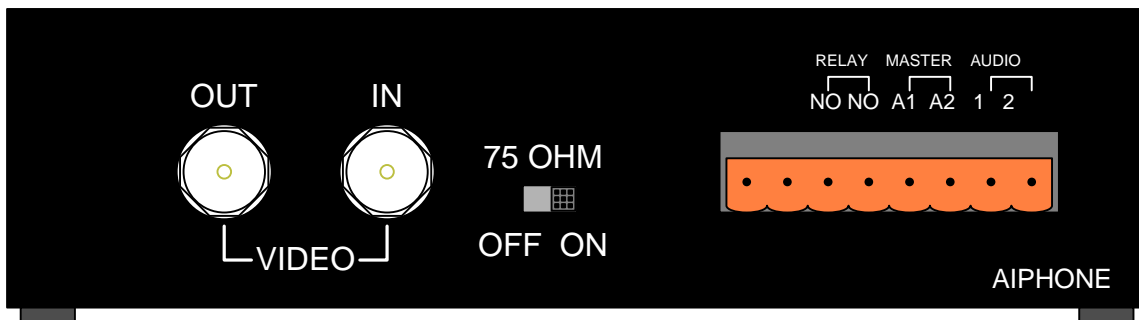


# KCW-M

## Video Modulator with Audio Door Station and CCTV Interface

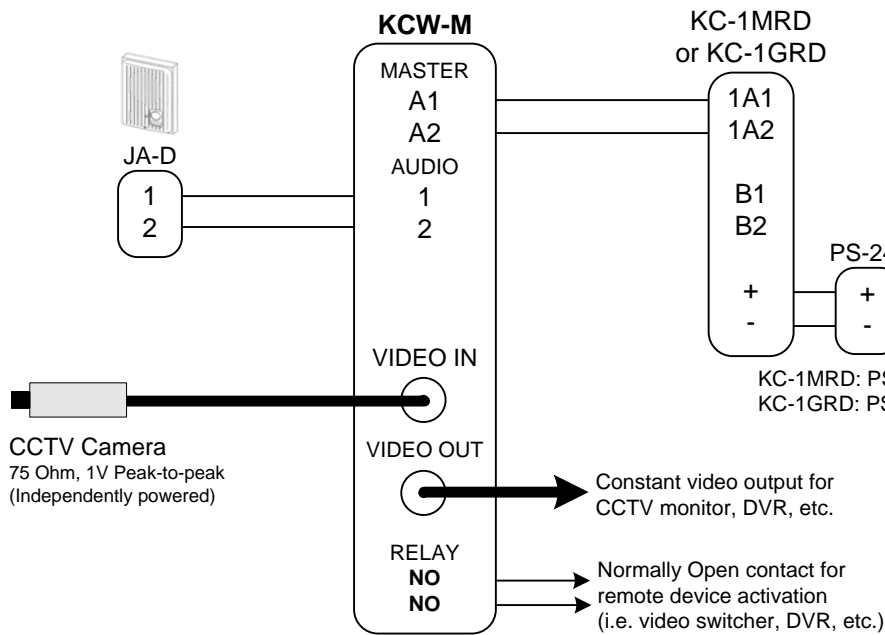
### - INSTRUCTIONS -

The KCW-M adaptor converts a standard CCTV camera's signal to a 2-wire signal, compatible with the KC 1x3 Color Video system. This allows the utilization of a color CCTV camera and a separate audio door station (JA-D) to be used in place of a KC-DAR video door station. The CCTV camera can also be connected to a standard CCTV system for continual viewing and/or recording. The unit is equipped with a relay output to trigger an external device, such as a DVR or video switcher whenever the audio and video to the Aiphone monitor is on.



### WIRING DIAGRAM:

#### KCW-M Modulator for Standard CCTV camera and Audio Only door station



#### NOTES:

1. JA-D is the only compatible door station with this unit.
2. Video Output is optional. If not used, set 75 ohm switch to ON position.

**When VIDEO OUT is connected, set 75 Ohm switch to OFF position.**

## OPERATIONS

### Activation of the camera from a Monitor:

1. The CCTV camera can be viewed on any of the KC monitors in the system by pressing the MONITOR button. When the video is activated, the audio door station will be activated to transmit audio to the monitor station. To initiate 2-way audio with the outdoor location, pick up the handset and speak. When the handset is hung up, audio and video will turn off.
2. To turn the monitor off, press the MONITOR button again. Otherwise, it will automatically time out after approximately 30 seconds.

### Activation of a camera by the Audio Door Station:

1. When the call button is pressed on the JA-D door station, the monitor will turn on with the image from the CCTV camera, and the chime will sound. The monitor will stay on for approximately 30 seconds if not answered.
2. Pick up the handset to answer, and hang up to conclude. Conversation will automatically turn off in approximately 2-1/2 minutes if handset is not hung up.

### Interfacing Video with Other Systems:

1. VIDEO OUT connection simply passes the composite video signal on to a standard CCTV system, such as a monitor, input on a switcher, or DVR. This video signal is live as long as the camera is powered. When using this feature, set the 75 OHM switch to the OFF position.
2. RELAY connection provides a normally open contact closure that can be connected to an external system. This contact will be closed whenever the Aiphone system is turned on. This can be wired into a record input on a DVR or any other external device that needs to be notified when the video and audio is activated to the Aiphone monitor.

### SPECIFICATIONS:

Power:	Supplied by KC Monitor
Video Input & Output:	Composite 1V Peak-to-Peak, NTSC
Connector:	BNC
Audio Door input:	Use JA-D surface mount door station only
Relay:	Normally open output
Wire:	18AWG, 2-conductor, non-shielded, solid or stranded
Wiring distance:	Max. 330 from KCW-M to KC-1MRD or KC-1GRD
Dimensions:	1-5/8"H x 7"W x 4"D

### FCC Class B Verification

NOTE: This equipment has been tested and found to comply with the limits for a Class B digital device, pursuant to Part 15 of the FCC Rules. These limits are designed to provide reasonable protection against harmful interference in a residential installation. This equipment generates, uses, and can radiate radio frequency energy and, if not installed and used in accordance with the instructions, may cause harmful interference to radio communications. However, there is no guarantee that interference will not occur in a particular installation. If this equipment does cause harmful interference to radio or television reception, which can be determined by turning the equipment off and on, the user is encouraged to try and correct the interference by one or more of the following measures:

- Reorient or locate the receiving antenna.
- Increase the separation between the equipment and receiver.
- Connect the equipment into an outlet on a circuit different from that to which the receiver is connected.
- Consult the dealer or an experienced radio/TV technician for help.

### Note:

Only information pertaining to the connection and operation of the KCW-M and devices interfacing with it are included here. For complete installation, wiring, and operational information about the KC system, please refer to the Installation Manual included with the monitor.

Aiphone Communication Systems  
1700 130th Ave. N.E.  
Bellevue, WA 98005  
(425) 455-0510  
FAX (425) 455-0071

**Toll Free Technical Support:**  
1-800-692-0200  
FAX: 1-800-832-3765  
E-mail tech-serv@aiphone.com

Pg. 2  
KCW-M Instr.  
1206JDJS