

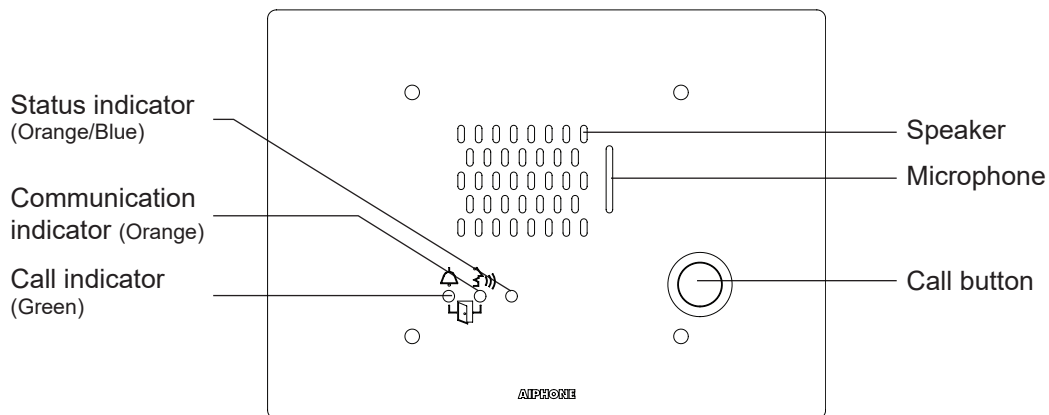
# IX-NVP

## 3-Gang Sub Station

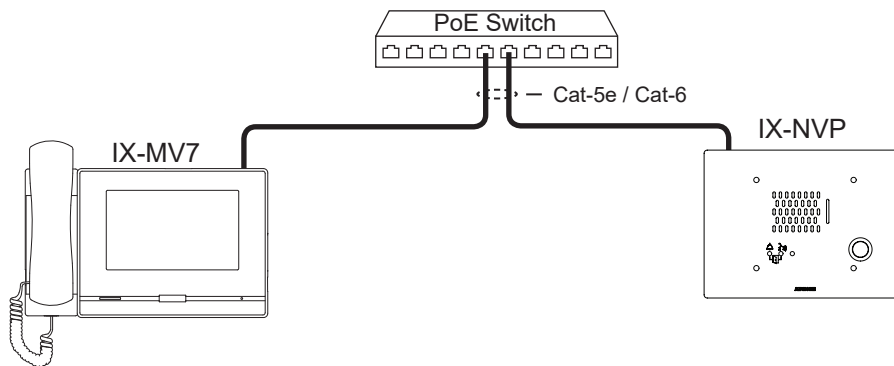
### -INSTRUCTIONS-

The IX-NVP is a vandal and weather resistant sub station designed for use with the IX Series IP intercom system. It is constructed of 12 gauge carbon steel with a white powder-coated finish. The IX-NVP will flush mount horizontally into a 3-gang masonry type box (Raco model 692 or equivalent) or surface mount using the SBX-NVP/A. Tamper proof screws and a tool for installation are included.

**Note: The IX-NVP will be treated as an IX-SS-2G when programming the station.**



### WIRING:



### SPECIFICATIONS:

Power Source: 802.3af PoE compliant  
 Power Draw: 3.36 Watts  
 Audio Codec: G.711 ( $\mu$ -law, A law), G.722  
 Protocols: IPv4, IPv6, TCP, UDP, SIP, HTTP, HTTPS, RTSP, RTP, RTCP, IGMP, MLD, SMTP, SFTP, DHCP, NTP, DNS  
 Operating Temp:  $-40^{\circ} \sim 140^{\circ}\text{F}$  ( $-40^{\circ} \sim 60^{\circ}\text{C}$ )  
 Dimensions:  $5\text{-}\frac{1}{2}\text{" H} \times 7\text{-}\frac{1}{2}\text{" W} \times 2\text{" D}$   
 Mounting: Horizontal in a 3-gang masonry-type box. If mounted vertically, the unit will not be weather resistant. (Any damage caused due to vertical mounting will not be covered under warranty.)